

MAXEON 6 SOLAR PANEL

450-475 W | Up to 22.3% Efficient



Ideal for commercial applications



White backsheet, silver frame

More Lifetime Energy

Designed to maximise energy generation through leading efficiency, enhanced performance in high temperatures, and higher energy conversion in low-light conditions like mornings, evenings and cloudy days.

Uncompromising Durability

Engineered to power through all types of weather conditions with crack-resistant cells and reinforced connections that protect against fatigue and corrosion, to an electrical architecture that mitigates the impact of shade and prevents hot-spot formation.



Superior Sustainability

Clean ingredients, responsible manufacturing, and lasting energy production for 40 years make SunPower Maxeon panels the most sustainable choice in solar.

SUNPOWER



The Industry's Longest Warranty

SunPower Maxeon panels are covered by a 40-year warranty¹ backed by extensive third-party testing and field data from more than 33 million panels deployed worldwide.

Product and power coverage	40 Years
Year 1 minimum warranted output	98.0%
Maximum annual degradation	0.25%



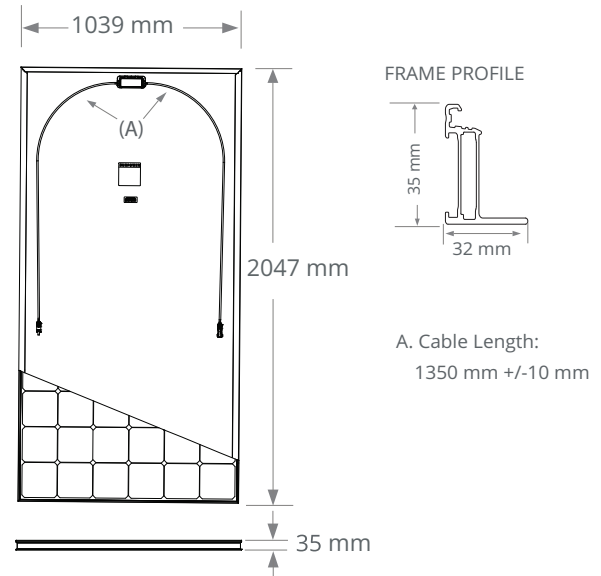
Learn more about the SPR-MAX6-XXX-COM
sunpower.maxeon.com

MAXEON 6 POWER: 450-475 W | EFFICIENCY: Up to 22.3%

Electrical Data			
	SPR-MAX6-475-COM	SPR-MAX6-460-COM	SPR-MAX6-450-COM
Nominal Power (P _{nom}) ²	475 W	460 W	450 W
Power Tolerance	5/0%	5/0%	5/0%
Panel Efficiency	22.3%	21.6%	21.2%
Rated Voltage (V _{mpp})	43.9 V	43.2 V	42.8 V
Rated Current (I _{mpp})	10.82 A	10.64 A	10.52 A
Open-Circuit Voltage (V _{oc}) (+/-3%)	52.6 V	52.5 V	52.4 V
Short-Circuit Current (I _{sc}) (+/-3%)	11.57 A	11.54 A	11.51 A
Max. System Voltage	1500 V IEC		
Maximum Series Fuse	20 A		
Power Temp Coef.	-0.29% / °C		
Voltage Temp Coef.	-0.239% / °C		
Current Temp Coef.	0.057% / °C		

Operating Condition And Mechanical Data	
Temperature	-40°C to +85°C
Impact Resistance	25 mm diameter hail at 23 m/s
Solar Cells	72 Maxison 6 Cells
Tempered Glass	High-transmission tempered anti-reflective
Junction Box	IP-68, Stäubli (EVO2), 3 bypass diodes
Weight	22.7 kg
Max. Load ⁶	Wind: 2400 Pa, 244 kg/m ² front & back Snow: 5400 Pa, 550 kg/m ² front
Frame	Class 2 silver anodised

Warranties, Certifications and Compliance	
Standard Tests ³	IEC 61215, IEC 61730
Quality Management Certs	ISO 9001:2015, ISO 14001:2015
Ammonia Test	IEC 62716
Desert Test	IEC 60068-2-68, MIL-STD-810G
Salt Spray Test	IEC 61701 (maximum severity)
PID Test	1500 V: IEC 62804
Available Listings	TUV
IFLI Declare Label	First solar panel labeled for ingredient transparency and LBC-compliance. ⁴
Cradle to Cradle Certified™ Bronze	First solar panel line certified for material health, water stewardship, material reutilisation, renewable energy & carbon management, and social fairness. ⁵
Green Building Certification Contribution	Panels can contribute additional points toward LEED and BREEAM certifications.
EHS Compliance	RoHS, OHSAS 18001:2007, lead free, REACH SVHC-163



Please read the safety and installation instructions. Visit www.sunpower.maxeon.com/int/PVInstallGuideIEC. Paper version can be requested through techsupport.ROW@maxeon.com

1 40-year warranty is not available in all countries or all installations and requires registration, otherwise our 25-year warranty applies. Service availability varies by country and installation provider.

2 Standard Test Conditions (1000 W/m² irradiance, AM 1.5, 25° C). NREL calibration Standard: SOMS current, LACCS FF and Voltage.

3 Class C fire rating per IEC 61730.

4 Maxison DC panels first received the International Living Future Institute Declare Label in 2016.

5 Maxison DC panels are Cradle to Cradle Certified™ Bronze -

www.c2ccertified.org/products/scorecard/e-series_xseries_solar_panels_-_sunpower_corporation.

Cradle to Cradle Certified™ is a certification mark licensed by the Cradle to Cradle Products Innovation Institute.

6 Safety factor 1.5 included.

Made in Malaysia (Cells)

Assembled in Mexico (Module)

Specifications included in this datasheet are subject to change without notice.

©2022 Maxison Solar Technologies. All Rights Reserved.

View warranty, patent and trademark information at maxeon.com/legal.

SUNPOWER
FROM MAXEON SOLAR TECHNOLOGIES

544409 REV A / A4_EN
Publication Date: January 2022